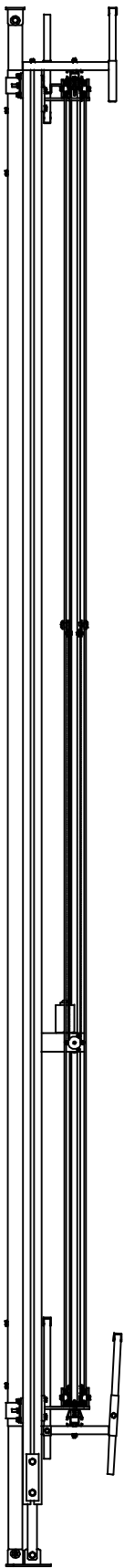
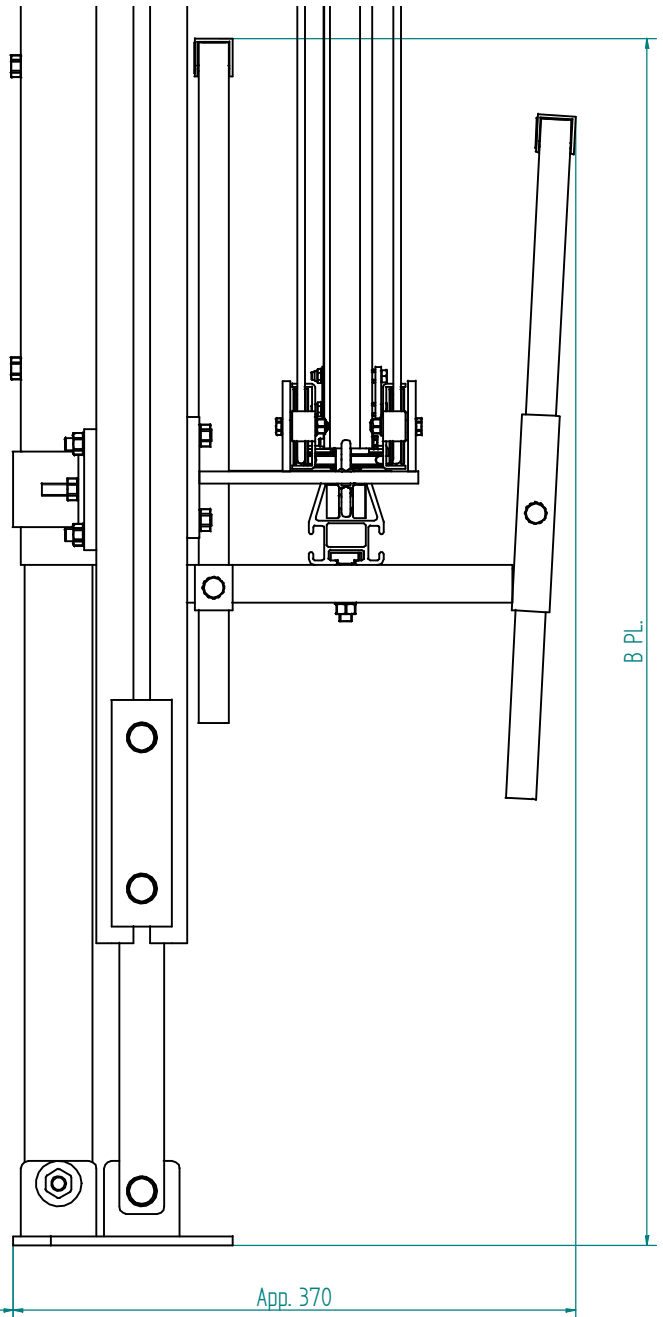


All measurements is in metric millimeters.



BAFFELWALL



App. 400 by tilted frame

App. 370

B PL.

DETAIL J

Notes: - The drawing shows the typical dimensions of the frame. To determine the exact frame size the auditorium dimensions, required picture size and bpl is needed.

Contract no:	Date:	Scale:	Sheet:	Size:	General tolerance:
-	03-05-2004	-	--	A4	-

Contract name: -

Project name: -

Title: FlexFrame Classic



Denne tegning er vor ejendom og må ikke forevises tredjemand, videregives eller kopieres uden skriftligt samtykke fra PRIEBE Sceneteknik A/S. E-Mail: post@priebe.dk

This Drawing is property of PRIEBE Sceneteknik A/S, and is not to be shown to third party, nor passed on or copied, without written consent from PRIEBE Sceneteknik A/S. E-Mail: post@priebe.dk

Drawing no: 82000200